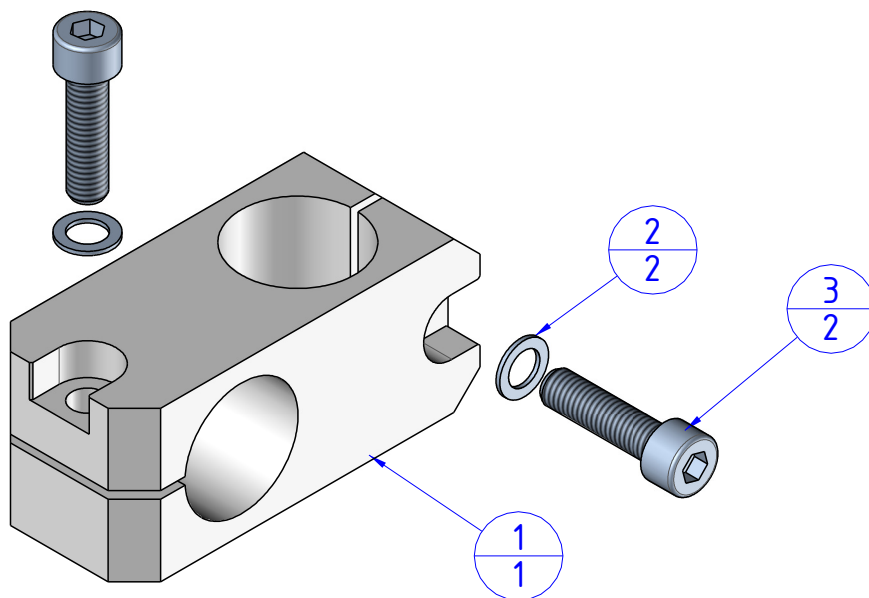
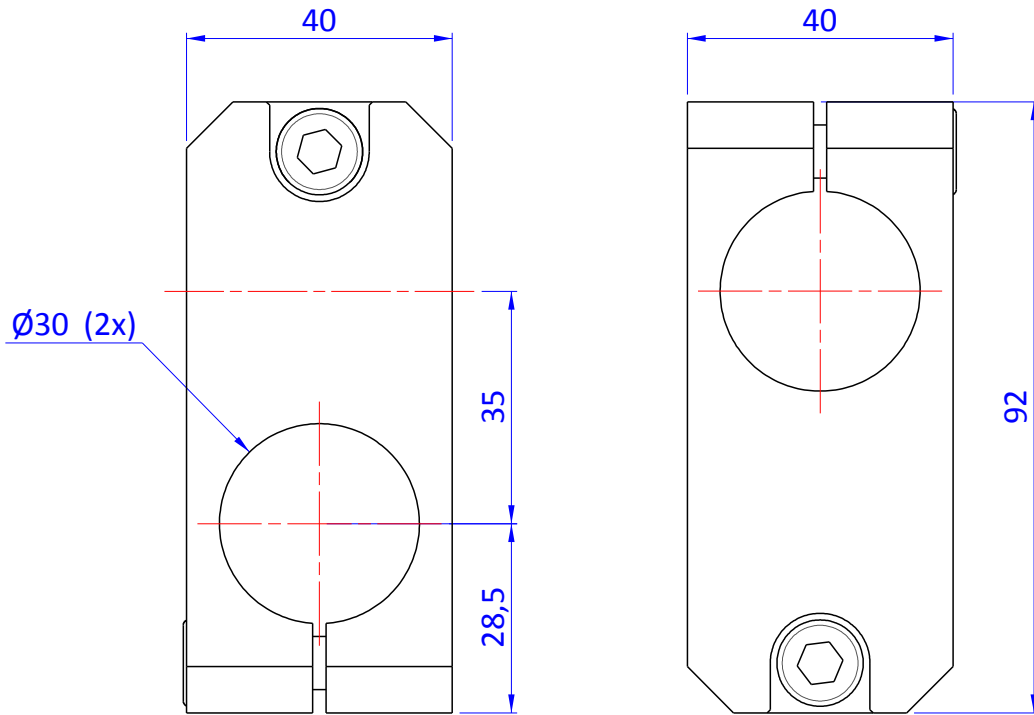


THE PROPERTY OF THE DRAWING IS ESTABLISHED BY LAW. IT IS FORBIDDEN TO PRODUCE OR SHOW IT TO THIRD PART. WITHOUT A WRITTEN AGREEMENT.

Item	Name	Q.ty
1	KKS.30.30	1
2	R.8.SCH	2
3	V.TCE8x30	2



Format A4 UNI 936-76					DESIGNED FROM <b>FPSERVICES</b>	REVIEW <b>A</b>
	GENERAL TOLERANCE UNI - ISO 2768 CLASSE f	DESCRIPTION	DATE 03/01/2019	WEIGHT 0,253kg		
					CODE <b>CA.KKS.30.30</b>	